

LINDNER



**MIURA 1500
MOBILE SHREDDING**

**TAKES
EVERYTHING ON.**

ONLY LINDNER CLIENTS CAN TRULY SAY:

GETS ME WHERE I NEED TO GO.



1. ROBUST TWIN-ROTOR CUTTING SYSTEM

Incredibly productive thanks to an aggressive intake and a combined crushing and cutting action.

Maximum resistance with our fully welded crushers, rippers and scrapers.

Adapts perfectly to the material thanks to shaft pairs available in different designs.



2. POWERFUL DIESEL ENGINE

Efficient and economical thanks to our 350 hp diesel engine from Scania.

Complies with all exhaust gas regulations thanks to our state-of-the-art SCR system.

Particularly long service life ensured by an ideal interaction between the engine and the hydraulics.



3. INNOVATIVE MOBILE HYDRAULICS

Superbly efficient thanks to self-regulating load-dependent power output.

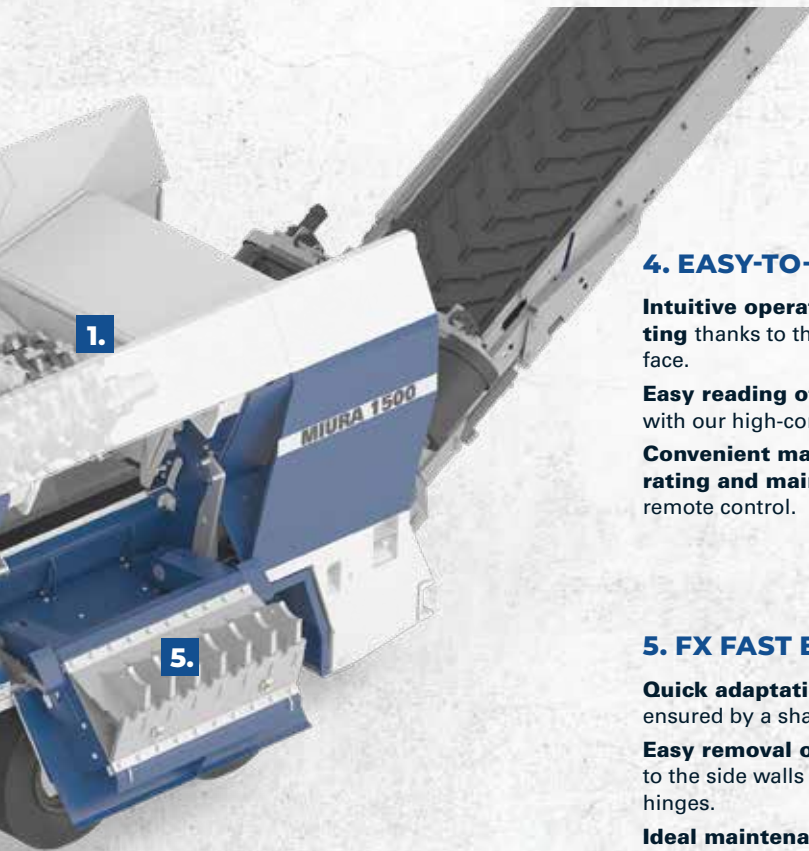
Effective shredding even of difficult materials with a torque of up to 240.000 Nm.

Safe operation owing to the lightning speed automatic detection of non-shreddables.



GIVES YOU MAXIMUM FLEXIBILITY: LIGHTNING FAST ADAPTATION TO DIFFERENT MATERIALS, MAXIMUM MANOEUVRABILITY.

With our innovative FX fast exchange system, the Miura twin-shaft shredder is ready for any task in no time. The machine comes with a 3-axle trailer, making it perfect for moving it between different sites swiftly and easily. Go places with this mobile shredding technology.



4. EASY-TO-USE CONTROL

Intuitive operation and parameter-setting thanks to the customised user interface.

Easy reading of all relevant information with our high-contrast 8" display.

Convenient management of all operating and maintenance functions via remote control.



5. FX FAST EXCHANGE SYSTEM

Quick adaptation to different materials ensured by a shaft change within 20 min.

Easy removal of non-shreddables thanks to the side walls that open out on hydraulic hinges.

Ideal maintenance access guaranteed with our cutting chamber that opens on both sides.



6. 3-AXLE TRAILER

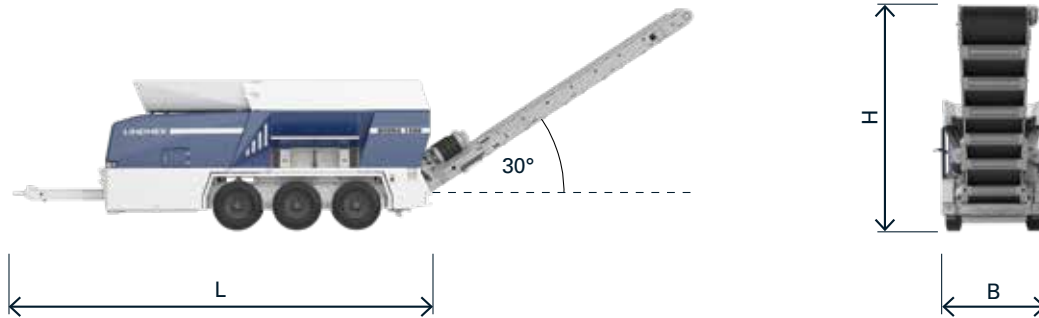
Easy machine transport thanks to our approval for use on public roads.

Ensures maximum flexibility with our optional shaft set that can be transported on the truck.

Easy manoeuvring of the shredder due to the drawbar, which is adjustable along its length and height.



TECHNICAL DATA



MIURA 1500

Drive Power Diesel	hp	350
Exhaust Gas Standard		EU Stage IV (USTief 4f)
Type		Trailer
Shaft Length	mm	2 x 1500
Max. torque	Nm	240.000
Total Weight	t	24
Measure (LxBxH)	mm	9322 x 2521 x 3274
Discharge Height (30°)	mm	4600

*The stated values refer to standard machine versions with a standard hopper and raised feet. The right to make technical changes is reserved.

SHAFTS FINE

The specialist for the fine grain



Output: 100 – 200 mm

Waste wood A1 – A2
Biomass
Green cuttings
Rootstocks
Paper rolls
Tarpaper
Plastics
etc.

SHAFTS ROUGH

The specialist for the rough stuff



Output: 300 – 500 mm

Waste wood A1 – A4
Household refuse
Bulky commercial
Waste
Rootstocks
Railway sleepers
Metals
Light iron scrap
Light aluminium scrap
Electronic scrap
etc.



Magnetic separator of
ferrous material



Water sprinkling system



engine compartment
extinguishing system



Extended wear protection

Lindner-Recyclingtech GmbH

Villacher Straße 48 | 9800 Spittal/Drau | Austria

t.: +43 4762 2742 | f.: +43 4762 2742-9032 | office@l-rt.com

www.l-rt.com