

LINDNER



**APOLLO 700 | 1000 | 1600
STATIONARY UNIVERSAL SHREDDING**

**HITS THE
MARK.**

ONLY LINDNER CLIENTS CAN TRULY SAY:

THAT'S HOW TO PUT THE SQUEEZE ON IT.



1. MOVABLE HOPPER

Easy maintenance access with a fully openable cutting chamber.

Easy and quick removal of non-shred-dables thanks to our quick-locking hopper.

100% safe with sensors positioned at the maintenance access points.



2. ROBUST GEAR DRIVE

Powerful shredding with high-torque, high-performance motors.

Adapts to the material thanks to its variable speeds.

Global availability of all easy-change standard parts.

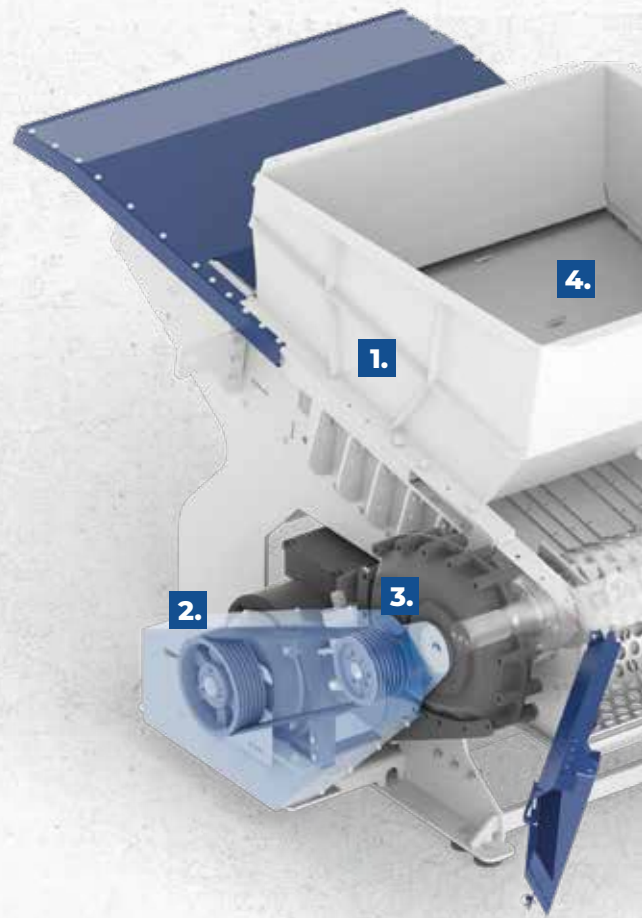


3. CUTTING SYSTEM SEAL PROTECTION

Long service life with dirt-free rotor bearings.

Ideal protection of all components ensured with our build-in seals.

No jamming thanks to special protection elements.



NAILS IT: COMPACT, EFFICIENT AND RELIABLE.

The Lindner Apollo, specially designed for in-house recycling, allows you to cost-effectively shred various types of production waste into defined particles. The combination of sophisticated machine technology and intelligent, convenient functions ensures high operational safety with easy use and maintenance. All this packaged in a compact design with maximum reliability.

4. INTERNAL RAM

Continuous shredding due to smooth rotor feeding.

Perfect for rolled goods or light-weight materials owing to our optional ram spikes.

No jamming as a result of our additional comb and sealing bars.



5. MADE-TO-MEASURE CUTTING SYSTEM

Optimised material processing owing to the customisable cutter configurations.

Ideal for heavy materials thanks to the special profile rotor design.

Consistent particles ensured with the variable cutting gap.



6. PLUG & GO SCREEN UNIT

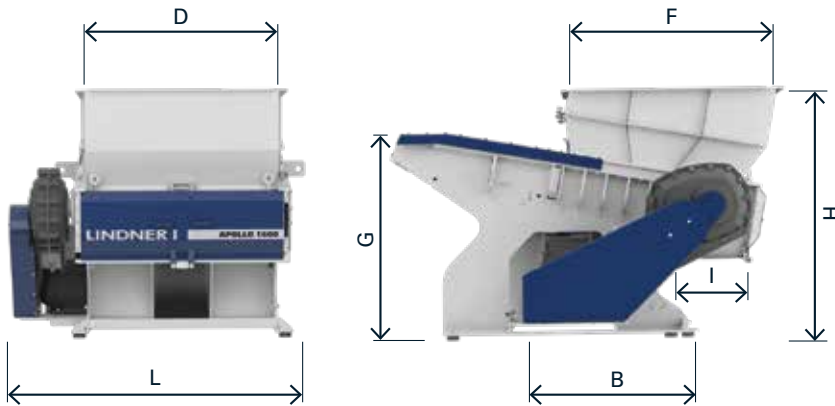
Easy access for maintenance and fitting thanks to the swivel-mounted, hydraulically operated design.

Extremely safe operation with the electromagnetically locked screen access point, preventing access to the cutting chamber while the machine is in operation.

Flexible output sizes made possible with our screen units in various mesh widths.



TECHNICAL DATA



		APOLLO 700	APOLLO 1000	APOLLO 1600			
DIMENSIONS*							
Measure (LxBxH)	mm	2299 x 1725 x 2030	2655 x 2070 x 2030	3242 x 2321 x 2030			
Filling opening (DxF)	mm	700 x 1200	1000 x 1400	1600 x 1700			
Filling height	mm	2030	2030	2030			
Cutting zone volumes	m ³	0,58	1,05	2			
Outlet width (I)	mm	730	1040	1655			
Total weight	kg	3600	4400	6800			
CUTTING UNIT*							
Rotor length	mm	650	1000	1600			
Rotor speed	min ⁻¹	60 – 110	50 – 110	60 – 110			
Standard Tool		step knife 40S	pointed knife 43PX	step knife 40S	pointed knife 43PX	step knife 40S	pointed knife 43PX
Number of knives	Stk.	32	28	48	42	80	70
Number of screens	Stk.	1		2		3	
End grain size	mm	10 – 80		10 – 80		10 – 80	
DRIVE*							
Type		gear box	gear box	gear box			
Motor	kW	15 – 30	30 – 45	55 – 75			

*The stated values refer to standard machine versions with a standard hopper and raised feet. The right to make technical changes is reserved.



Water sprinkling system



Fire extinguishing system
with spark detection



Rotor Cooling System

Lindner-Recyclingtech GmbH

Villacher Straße 48 | 9800 Spittal/Drau | Austria
t.: +43 4762 2742 | f.: +43 4762 2742-9032 | office@l-rt.com

www.l-rt.com